

# Framery One Compact™



The smart and soundproof office phone booth  
shaping the workspace of tomorrow

**framery**



Framery One Compact is a smart, spacious, one-person phone booth designed for phone and video calls. This state-of-the-art soundproof office pod is packed with technology, featuring world-class sound insulation, echo-free acoustics, adaptive ventilation and automated lighting – so you can focus on your calls and connect online with people anywhere.

## Framery One Compact / Product highlights



### Workdays that flow with ease

Framery One Compact has been purposefully designed to make your workdays flow better. Find and book the pod in advance or on-the-fly from the Framery app. Or step inside and the pod automatically creates a reservation for you. Extend your reservation directly from the pod's touchscreen, or adjust your booking through the app.



### Privacy you can trust

The fine-tuned acoustic structure provides A-Class soundproofing that allows the pod to be placed next to workstations without causing noise distractions to the user or to those outside of the pod. And echo-free interior acoustics make the pod a private, comfortable place for work and video calls.



### Airflow that keeps you fresh

The pod recognizes when it's occupied, senses the temperature and humidity of the surroundings, and triggers adjustments to the airflow accordingly. Enhanced ventilation fully refreshes the air every minute, and ventilation can be easily adjusted through the pod's touchscreen.



### Lighting that makes you feel good

Automated dual-lighting sources adapt to your needs, with preset lighting options to choose between work or video modes. Video-optimized lighting helps you shine on video calls. Adjustments can be made quickly and easily through the touchscreen display.



## Framery One Compact / Tech features



### 1. A-CLASS SOUNDPROOFING

Guaranteed privacy with fine-tuned Class A speech level reduction of 30dB – and the industry's top ISO 23351-1 rating for office phone booths.

### 2. FRAMERY OFFICE SOUND MASKING SYSTEM™

The embedded system is based on patent-pending technology that reduces noise distractions and protects speech privacy in office environments by adding a subtle, unobtrusive background sound outside of the pod. This ambient background noise, similar to air flow, is specifically designed to blend in with the office's noise atmosphere – making sounds less intelligible and therefore less distracting.

### 3. ADAPTIVE VENTILATION

Proprietary design enables unparalleled ventilation with maximum airflow of 36 l/s – surpassing industry standards around the world.

### 4. TEMPERATURE & HUMIDITY SENSORS

Sensors inside the pod recognize the temperature and humidity of the office environment, and automatically optimize the airflow accordingly.

### 5. AUTOMATIC LIGHTING MODES

Dual adjustable 4000K LED light sources allow you to seamlessly switch between video or work modes – or make manual adjustments for personalized illumination.

### 6. 8-INCH TOUCHSCREEN

An intuitive, 8-inch high-resolution touchscreen makes it easy to control pod settings, adjust lighting and airflow, and extend calendar reservations effortlessly.

### 7. AUTOMATIC UPGRADES

A built-in 4G connection enables automatic over-the-air software updates – initiated instantly and silently in the background.

### 8. MMWAVE RADAR PRESENCE DETECTION

Millimeter-wave radar sensors immediately detect when someone enters or leaves the pod, allowing lighting and ventilation to adjust accordingly. Occupancy data is gathered

and displayed through Framery Connect to provide information about when the pod is being used the most.

### 9. FRAMERY CONNECT™

Gain insights from occupancy data, initiate advanced bookability functionalities, and connect your Framery One Compact to the entire office to get valuable usage data needed to improve the layout and efficiency of your workplace.

---

## Framery One Compact / Design details

Framery One Compact feels spacious inside while taking a minimal amount of floor space. This phone booth is built to last with a lightweight structure and efficient use of materials without compromising performance or quality. The minimalistic design approach uses carefully curated materials, making it a sustainable choice.



Framery One Compact's powder-coated exterior panels are made from deepdrawn steel. Matt black structures made from aluminum create the framing, and sound-control laminated glass finish the structural support.



The pod chassis is made of a light steel structure. Replaceable interior paneling are made from PET sound-absorbing material. Anti-static, stain resistant low-loop pile carpeting covers the flooring.



The top-mounted occupancy lights show at a glance whether the pod is available or already taken.



The custom-designed table comfortably fits a laptop, and a built-in power outlet and coat hook are provided for all your office accessories.



The height-adjustable seat and built-in footrest prioritize comfortable and ergonomic working positions.



Customize your pod to fit your workplace with over 3000 combinations of colors, fabrics, and high-quality materials to choose from.



# Framery One Compact / Colors and finishes

## EXTERIORS

	White RAL 9016 Ultramatt
	Black RAL 9005 Ultramatt
	Gray S 7500 - N Ultramatt
	Navy S 7020 - R90B Ultramatt
	Sand S 2010 - Y20R Ultramatt
	Powder Blue 3421-R86B Ultramatt
	Winter Moss S 7010-G10Y Ultramatt
	Blush 2728-R01B Ultramatt

## CARPETS

	Light Gray Fletco carpets
	Dark Blue Fletco carpets
	Champagne Fletco carpets
	Grape Fletco carpets





## TABLE TOPS

	White White laminate
	Black Black Laminate with anti-fingerprint surface
	Oak Veneer

## SEATING FABRICS

	Graphite Select #60051 Gabriel
	Dark Blue Select #66144 Gabriel
	Grape Select #61190 Gabriel
	Rose Select #65117 Gabriel
	Powder Blue Select #67098 Gabriel
	Beige Select #61184 Gabriel
	Green Select #68209 Gabriel
	Mustard Select #62098 Gabriel

## INTERIORS

	Pure Gray Tonal #60123 Gabriel
	Arctic Blue Tonal #66185 Gabriel
	Sand Tonal #61180 Gabriel
	Rouge Tonal #64210 Gabriel

Design your own  
on our website



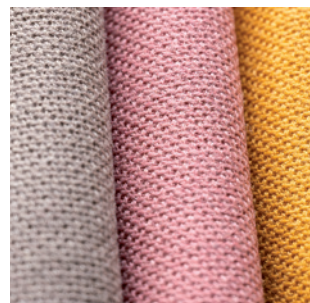
## MATERIALS AND FINISHES



**EXTERIOR PANELS** made from steel feature a powder-coated matt finish. The lightweight panels are joined together seamlessly, with elegant curves that create a timeless design.



**INTERIOR PANELS** made from high-quality and recycled polyester have a vibrant and dynamic look thanks to the mix of the two-colored fabric.



**SEATING MATERIALS** are a blend of superior New Zealand wool and polyamid that form a soft and rich texture. The extremely durable fabrics are both dirt and water repellent.

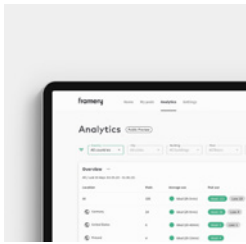


**CARPET FLOORING** is anti-static, stain resistant, and durable, giving the pod an overall soft look and finish.

---

## Framery workplace technology / Set your office up for success

Framery's workplace technology suite streamlines workdays, elevates productivity, and enhances the entire workplace experience. Access real-time occupancy data, make data-driven decisions, book meeting spaces easily, and boost focus, privacy, and productivity throughout the office. Set up your workplace for the people who use it – making it easier than ever to get work done. And you can enjoy these benefits without any deployment costs.



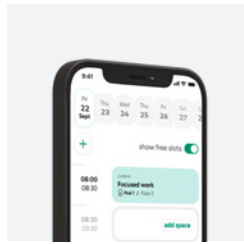
### Framery Connect™

Use occupancy data to improve workspace efficiency. See which spaces are utilized, need attention, or go unused. Make data-driven decisions with real-time insights to optimize your office layout.



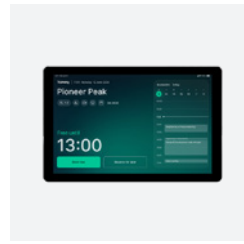
### Framery Connect Sensor™

This compact sensor enhances Framery Connect by gathering usage data from any space in your workplace. Easily attach it to meeting rooms or collaborative areas to get a complete overview of how each space is utilized, with simple wireless connectivity for seamless data collection.



### Framery App™

Manage your day with the Framery app – the easiest way to book pods and meeting spaces. Check availability instantly, save favorite spaces, and book on the go. Manage your workday all from your phone.



### Framery Room Display™

The Framery room display is a booking system for all work and meeting spaces, showing real-time availability of the desired space and enabling instant on-site bookings for smooth scheduling. Integrated with work calendars, the Framery App™, and smart pods, it delivers a cohesive, synchronized office booking experience.



### Framery Office Sound Masking System™

Improve workplace acoustics with Framery's sound masking system. It reduces noise distractions and protects speech privacy by adding subtle background sound, blending naturally with office noise.

### Unparalleled support

Get instant support from a Framery specialist for any issues that may arise with your smart pods or other products.

### Automatic updates

Instantly receive software updates through your smart pod's 4G connection to enable developments and services into the future.

### Privacy assured

No identifiable user data is collected – only workspace occupancy information is tracked.

---

## FRAMERY PLUS – EVERYTHING YOU NEED FOR A SUCCESSFUL WORKPLACE

Unlock all the tools and features your workplace needs to thrive with our subscription based Framery Plus™ – new smart pod customers receive a complimentary 1-year subscription.



Read more

# Framery smart pods / Environmental data sheet

Framery's new smart pods set the standard in sustainability – with durability that is measured in decades, light-weight product structures, use of truly recyclable materials, and modularity that allows the life cycle of the products to be extended indefinitely. Framery participates in the Science Based Targets initiative, and has set emission reduction targets aligned with the goal of limiting global warming to 1.5°C compared to pre-industrial levels.



## Optimal material use

Framery has achieved a 23% material reduction with its new line of products – which equals over 1 million kg of raw material annually – while increasing their level of performance compared to previous models. The carbon footprint in the manufacturing stage of the new products is 16% smaller on average. A change from plywood to steel as the main construction material also allows Framery to continue reducing its environmental impact and strive towards a 50% reduction in product CO2 emissions by 2028.



## Production and waste management

All our pods are manufactured in Tampere, Finland using zero-emission electricity. Our factory logistics are operated on biogas and renewable diesel. The material efficiency rate of our production was 94.9% in 2022. Virtually no waste goes to landfill.



## Environmental impact

We have conducted life cycle assessment studies for our products to measure their environmental impacts. Alongside their

carbon footprint, we also study other impacts such as resource depletion and water scarcity. The results are verified by an independent third party, and then published and registered as an EPD to provide stakeholders with reliable information on our products' environmental performance in a transparent way.



## Product performance

The modular design of our pods facilitates a long product lifetime, and our customers typically use them for many years. The same pod can be used by one customer after another, enabling multiple life cycles and saving valuable resources. Thanks to their modular design, our pods are easy to disassemble, refurbish if needed, and reassemble at a new location. Our products are GREENGUARD Gold certified, and highly maintainable with easily available spare parts.



## Transportation

Logistical hubs in Singapore and the USA reduces air freight, and allows us to load our shipping containers more tightly. The products are made-to-order, and their

modularity helps us achieve this with minimal impact.



## Materials

To increase circularity, the pods contain mono-materials rather than composites for 100% recyclability. They also contain more recycled materials, including 20% recycled steel and aluminum, 29% recycled glass, and fabric featuring 80% recycled plastic. Framery will also be among the select few companies in the world pioneering the use of SSAB fossil-free steel in our products, starting as soon as the material becomes available in 2026.



## Certificates and studies available

- Life Cycle Assessment (LCA)
- Environmental Product Declarations (EPD)
- Health Product Declarations (HPD) & Declare labels
- UL GREENGUARD Gold
- Contribution to Green Building Certifications such as LEED, BREEAM, SKA and WELL

100% END OF LIFE  
RECYCLABILITY  
\*Framery One 95%



80 %  
RECYCLED PET



20 %  
RECYCLED STEEL



29%  
RECYCLED GLASS



CERTIFIED  
TEXTILES

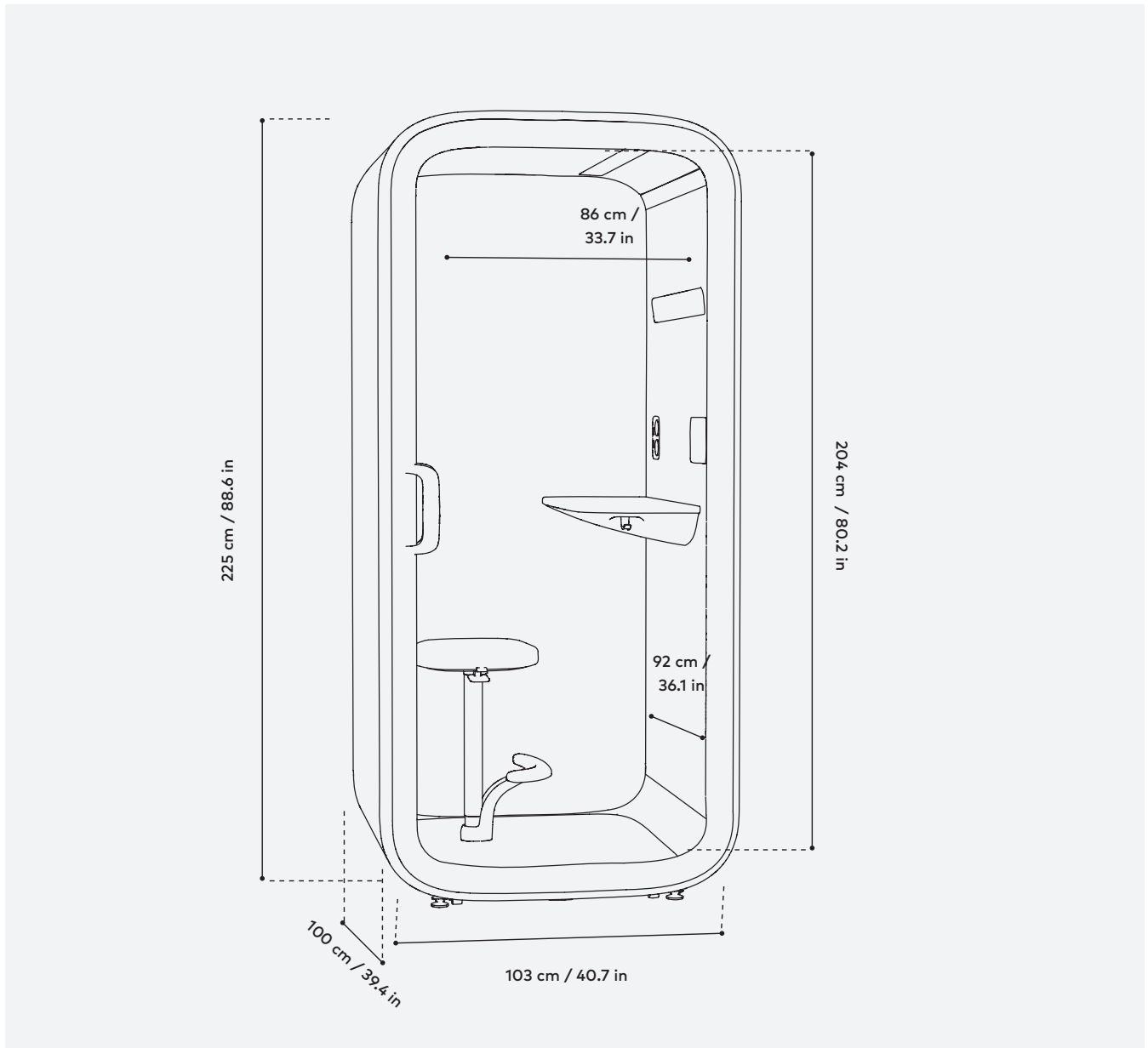


CERTIFIED  
WOOD



# Framery One Compact™

## Technical specifications



### Performance

Speech level reduction: 30dB  
Maximum airflow: 36 l/s  
Low energy consumption: 27W

### Sustainable design

Built to last for decades  
Light-weight product structures  
EOL 100% recyclable materials  
Refurbishable & movable

### Connectivity

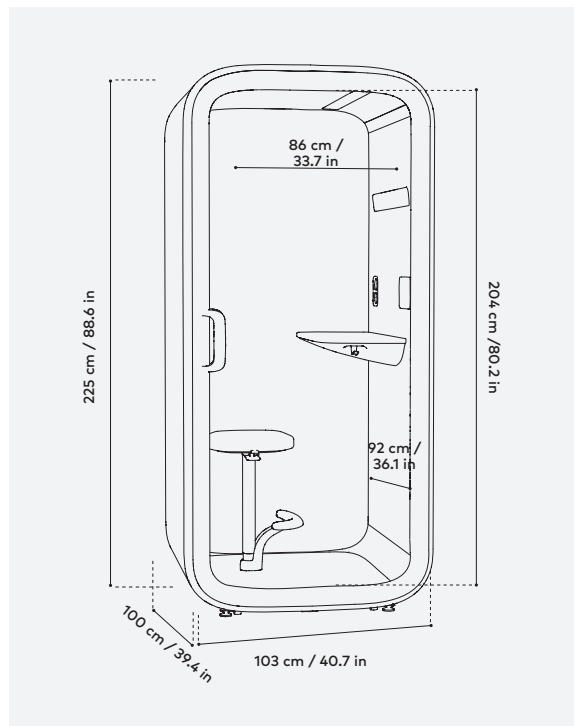
Built-in 4G connection  
Automatic software updates  
Framery Connect digital services

# Framery One Compact / Technical specifications

## OVERVIEW

Soundproofing	<p><b>CLASS A 30 DS,A (dB) reduction</b> Speech level reduction DS,A (dB) is measured using ISO 23351-1. Pod can be placed next to workspaces without compromising privacy</p>
Sound masking	<p><b>FRAMERY OFFICE SOUND MASKING SYSTEM™</b> A pre-fitted sound masking system improves the soundscape of the office outside the pods with an effective radius of 5 m / 16 ft</p>
Ventilation	<p><b>MAXIMUM AIRFLOW 36 l/s, 76 CFM (129.6 m³/h)</b> <b>DEFAULT AIRFLOW 26 l/s, 55 CFM (94 m³/h)</b> when in use. After use, the pod refreshes itself with a higher ventilation speed. <b>STANDBY MODE 16 l/s, 34 CFM, (58 m³/h)</b></p>
Lighting	<p><b>CEILING LIGHT</b> Color temperature 4000K, illuminance up to 500lux on the table top. <b>VIDEO LIGHT</b> Color temperature 4000K, illuminance up to 400lux on the user's face. <b>PRE-SET LIGHTING MODES</b> Standard mode &amp; Video call mode. Lighting can also be adjusted manually</p>
Presence detection	<p><b>SENSOR TECHNOLOGY</b> mmWave radar</p>
Dimensions	<p><b>EXTERIOR 225 × 103 × 100 cm / 88.6 × 40.7 × 39.4 in (h,w,d)</b> <b>WITH CASTERS</b> Additional 0.5 cm / 0.2 in (h) <b>DOORWAY 204 × 85 cm / 80.2 × 33.5 in (h, w)</b> <b>WEIGHT 253 kg / 558 lb</b> <b>THRESHOLD 11.6 cm / 4.6 in (also with casters)</b></p>
Connectivity	<p>Framery smart pods gather anonymous occupancy data, measuring when and how often spaces are used. Users in the space cannot be identified and no personally identifiable data is collected. The anonymous data is transferred via built-in 4G connectivity, or through a Wi-Fi connection and compiled and shown in the Framery Connect platform. <b>WLAN</b> Wi-Fi 802.11 a/b/g/n/ac 2.4&amp;5 GHz</p>

## DIMENSIONS / MAIN VIEW



Framery One Compact is UL GREENGUARD GOLD certified



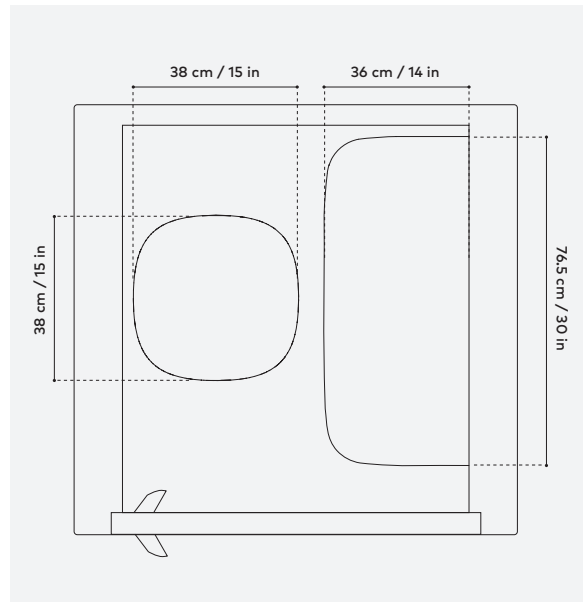
Framery One Compact shipped in North America is UL 962 listed

# Framery One Compact / Technical specifications

## MATERIALS

Exterior & structure	<b>EXTERIOR PANELS</b> Powder coated matt steel panels <b>FRAMES</b> Structure matt black aluminum <b>DOOR FRAME</b> Matt black aluminum and plastic structure <b>GLASS</b> Sound control laminated glass (4 + 4 mm / 0.16 + 0.16 in) <b>CHASSIS</b> Light steel and PET sound-absorbing structure <b>HANDLE</b> Mix of black plastic and steel
Interior materials	<b>INTERIOR PANELS</b> PET sheets laminated with recycled polyester fabric <b>UPHOLSTERY FABRIC</b> Gabriel Tonal <b>CARPET</b> Antistatic and stain resistant low loop pile carpet <b>TABLE</b> Table top is birch plywood laminated with white, black anti-fingerprint, or oak veneer. The table bottom is black thermoformed felt
Seating materials	<b>UPHOLSTERY FABRIC</b> Gabriel Select <b>FABRIC COMPOSITION</b> 85 % New Zealand wool / 15 % Polyamide <b>LEG &amp; FOOTREST</b> Steel and aluminum
Furniture dimensions	<b>TABLE SIZE</b> 76.5 x 36 cm / 30 x 14 in (w, d) <b>TABLE HEIGHT</b> 102 cm / 40.2 in <b>MAX LOAD FOR THE TABLE</b> 50 kg / 110 lb  <b>SEAT SIZE</b> 38 x 38 cm / 15 x 15 in (w, d) <b>SEAT HEIGHT</b> 59–85 cm / 23.2–33.5 in <b>MAX LOAD FOR THE SEAT</b> 135 kg / 300 lb

## DIMENSIONS / TOP VIEW



## SAFETY

Fire safety	No fire hazardous materials are used in Framery pods. The fire safety of all surface materials, upholstery and acoustics materials of our products are tested and classified by either national or international standards. Framery provides additional safety measurements to adhere to local regulatory requirements
Seismic safety	A seismic anchoring kit for a pod is available for the seismic regions. The kit consists of brackets that further reinforce the pod structure to withstand heavy seismic forces



# Framery One Compact / Technical specifications

## POWER AND SPACE REQUIREMENTS

Power	<b>OUTLETS</b> 1 × power outlet Optional: 1 × power outlet, 1-2 × USB-C PD charge ports (65W) or 1 × LAN port (with cable)  <b>POWER CONSUMPTION</b> Default settings 27W. Highest settings 40W. Standby mode 14W.  <b>INPUT</b> 100–240 VAC, 10 A*, 50–60 Hz  <b>OUTPUT AC (POWER OUTLET)</b> 100–240VAC, 6.6A, 50–60 Hz  <b>OUTPUT USB-C PD CHARGE PORT 65W</b>
-------	--

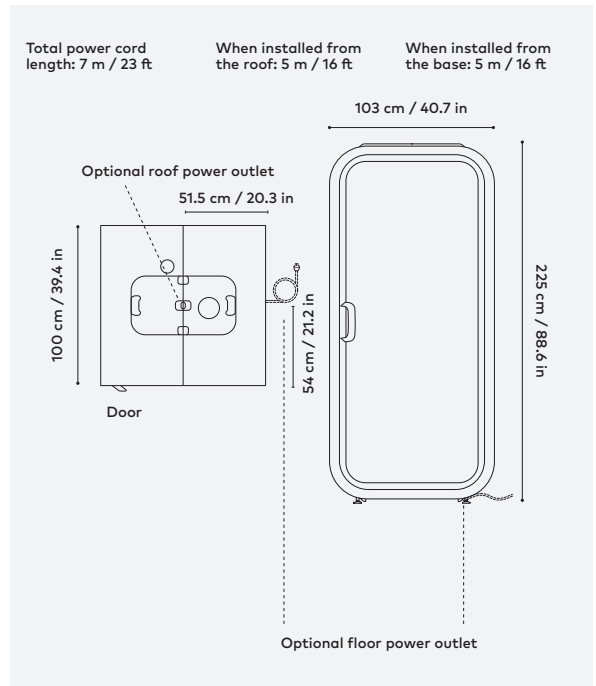
\*In India power outlet type 16A is used

Space requirements	<b>DOOR OPENING RATIO 180°</b>
Door handedness	Right-handed by default (can also be installed left-handed)
Operating space	From back to front (pod depth + doorway) 185 cm / 72.9 in. Room height requirement 235 cm / 92.5 in. For seismic anchoring leave 50 cm / 19.7 in of free space outside of exterior panel walls. For sprinkler installation requirements leave 50 cm / 19.7 in of free space on the outside of the table wall
Installation space	Installation requires 50 cm / 19.7 in of free space around the pod
Movability	Relocate the pod without the need for disassembly by adding casters (optional). Levelling guides must be lifted when moving the pod, and lowered when placed in position

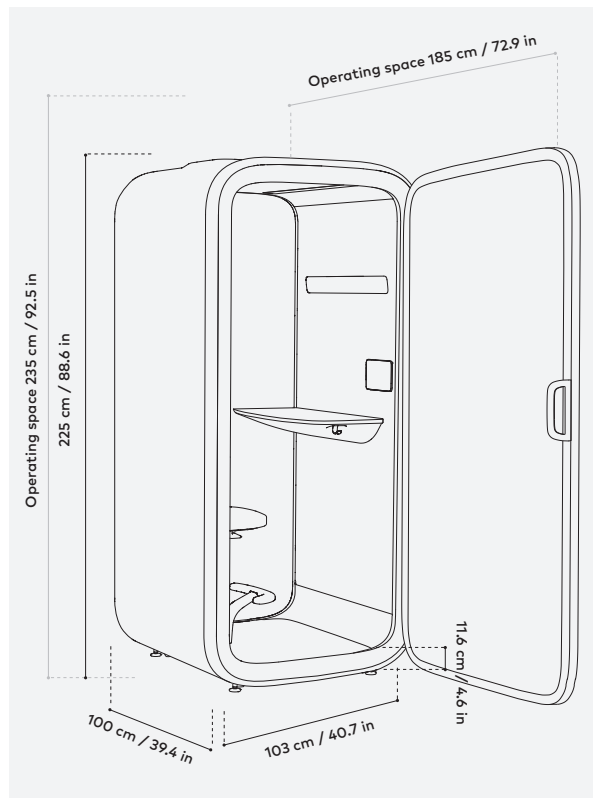
## SHIPPING CRATE

Dimensions	228.5 × 114.5 × 86.5 cm / 90 × 45.1 × 34.1 in
Weight	310 kg / 683 lb Crates can be stacked (max 3 boxes)

## DIMENSIONS / POWER CORD SPECIFICATIONS



## DIMENSIONS / OPERATING SPACE



For the doers,  
leaders, thinkers,  
dreamers, creators,  
teams, pioneers  
and innovators.  
**For people who  
get it done.**